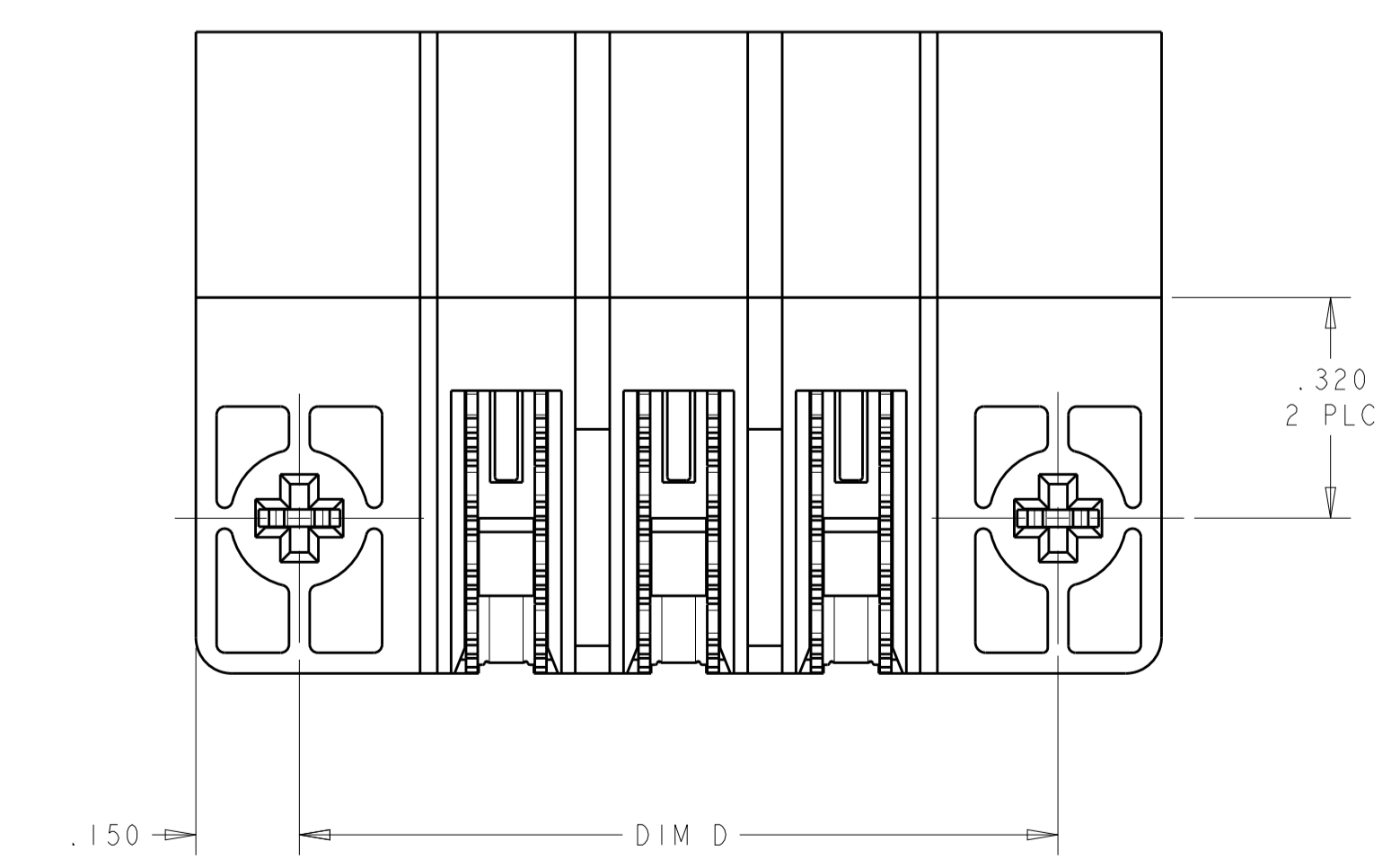
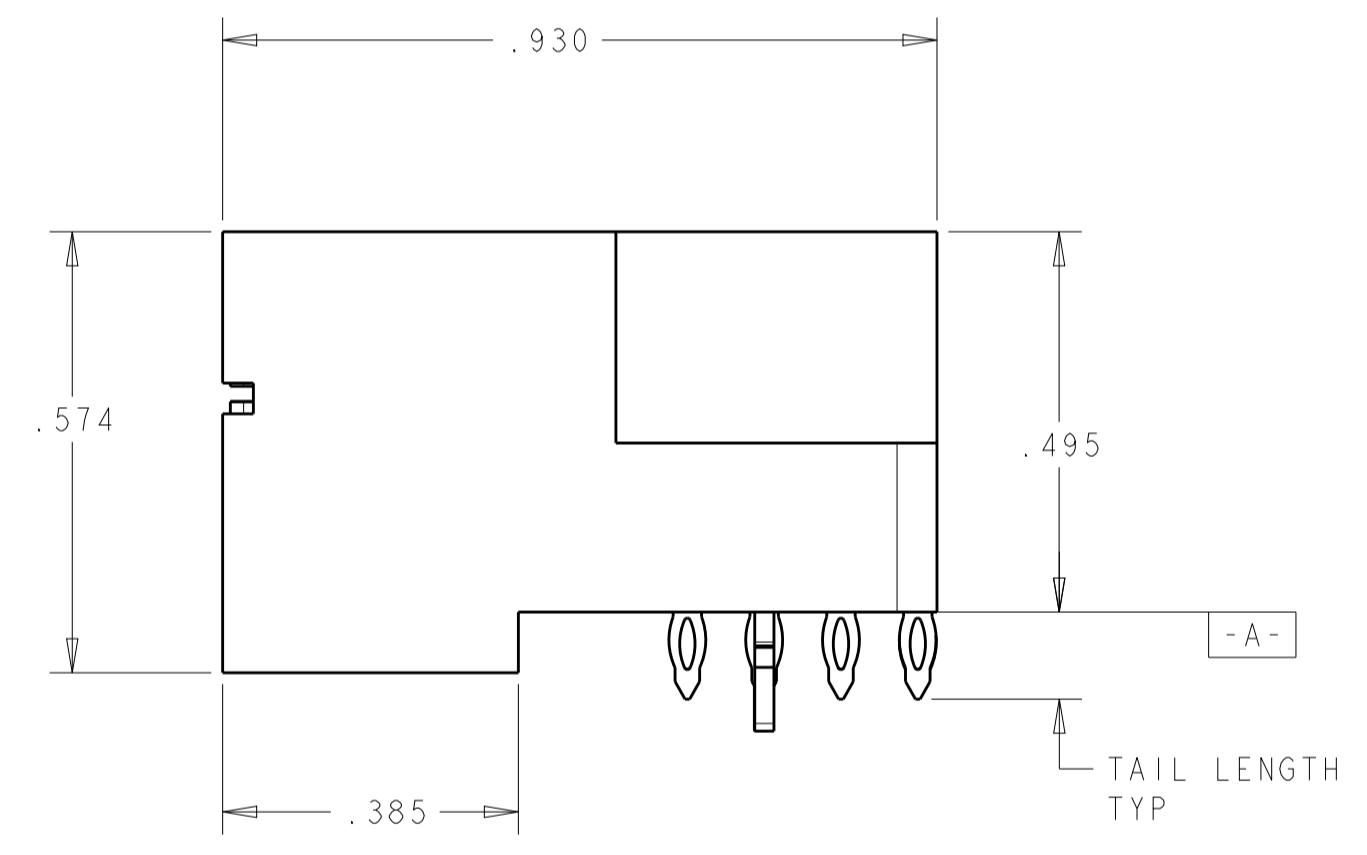
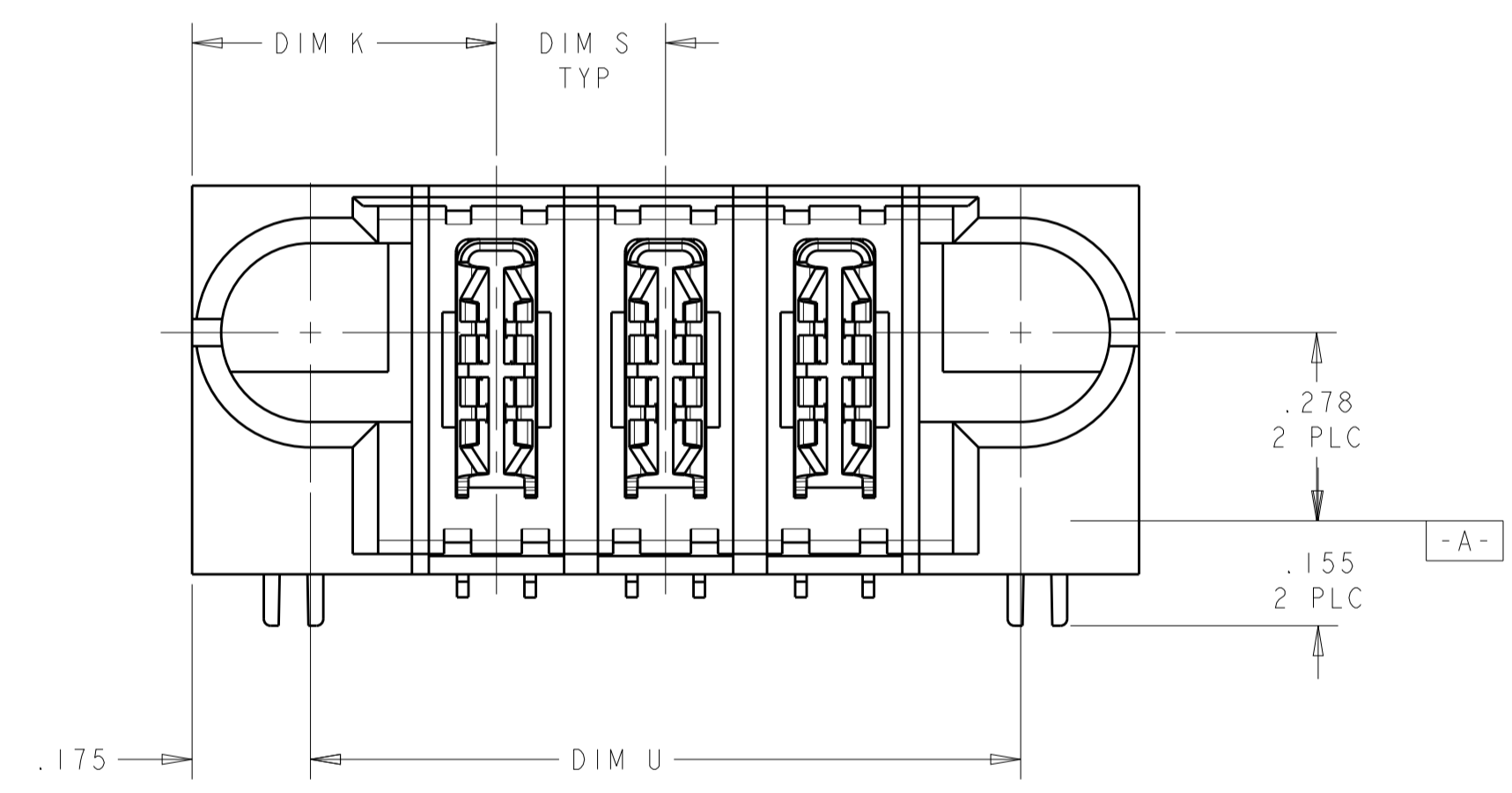
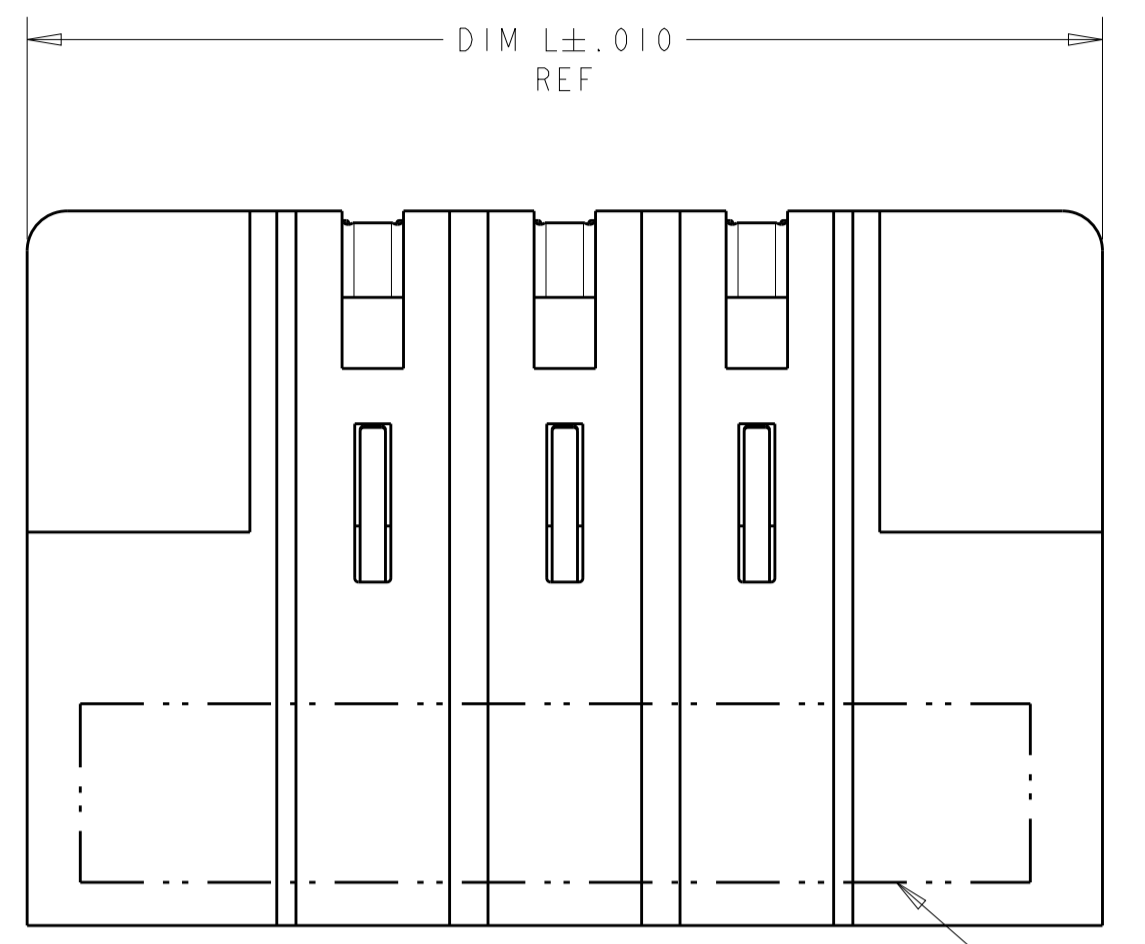


LOC		DIST		REVISIONS			
ES	00	P	LTN	DESCRIPTION	DATE	DWN	APVD
		E1		ADDED THE DASH NUMBER -12	09AUG2012	ML	SZ

- ① "AMP", PART NUMBER, AND DATE CODE TO BE MARKED IN AREA SHOWN. PARTS UNDER 2.00 LONG MAY BE MARKED ON BOTH SIDES.
- ② MATERIAL: HOUSING - GLASS FILLED HIGH TEMP THERMO PLASTIC, UL94 V-0
POWER CONTACT - HIGH CONDUCTIVITY COPPER ALLOY
- ③ CONTACT PLATING: NOBLE METAL PLATING ON CONTACT FUNCTIONAL AREA OF POWER AND SIGNAL CONTACTS
- ④ MECHANICAL CONNECTOR KEEP OUT ZONE.
- ⑤ DATUM AND BASIC DIMENSIONS ESTABLISHED BY CUSTOMER.
- ⑥ PCB - ALL HOLE DIAMETERS ARE FINISHED HOLE SIZES.
- ⑦ PCB - .0453 +/- .0010 DRILLED HOLES PLATES WITH .0003 MIN Sn OVER .001 TO .003 PLATING TO ACHIEVE A .040 DIA. HOLE.
- ⑧ VARIABLE DIMENSION SHOW ON VIEW (SHEET 2).
- ⑨ PROPOSAL PART ONLY.



⑨	.300	1.200	1.250	.475	1.550	3ACP	1-6450523-2
⑨	.250	1.550	1.600	.450	1.900	5P	1-6450523-1
⑨	.300	1.550	1.600	.500	1.900	4ACP	1-6450523-0
⑨	.250	1.800	1.850	.450	2.150	6P	6450523-8
⑨	.250	-	-	.450	2.820	12HDP	6450523-7
⑨	.250	2.300	2.350	.450	2.650	8P	6450523-6
⑨	.250	-	-	.450	2.620	11P	6450523-5
⑧	.250	1.700	1.750	.425	2.050	6P	6450523-2
⑧	.250	1.050	1.100	.450	1.400	3P	6450523-1
	DIM S	DIM U	DIM D	DIM K	DIM L	DESCRIPTION	PART NUMBER

THIS DRAWING IS A CONTROLLED DOCUMENT. DWN: R. GRZYBOWSKI 16MAY05
 CHK: M. PERCHERKE 16MAY05
 APVD: M. PERCHERKE

STE TE Connectivity

RIGHT ANGLE HEADER ASSEMBLY
 PRESS FIT, W/GUIDES
 MULTI-BEAM XL

108-1973
 APPLICATION SPEC

114-13038
 WEIGHT

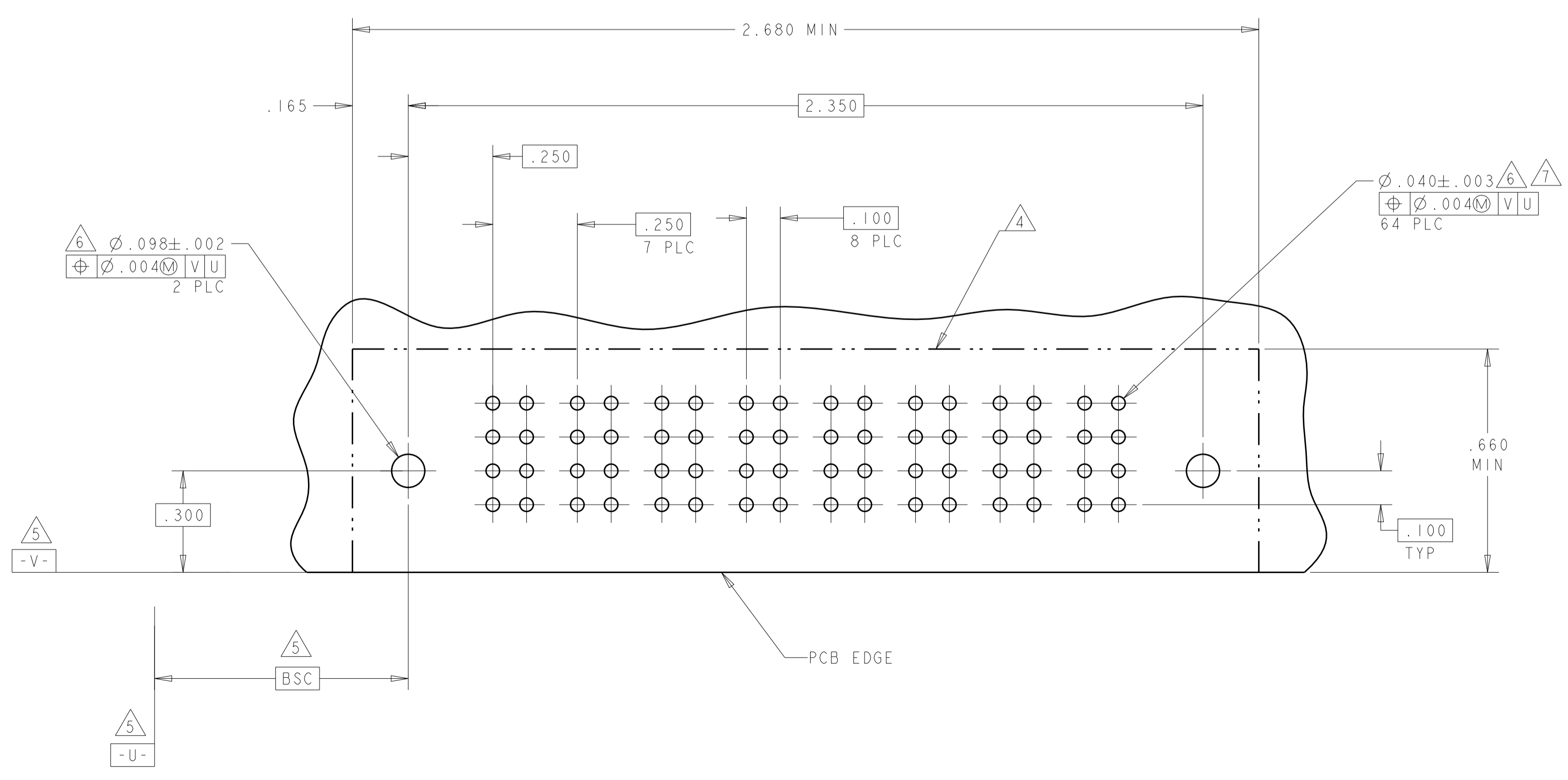
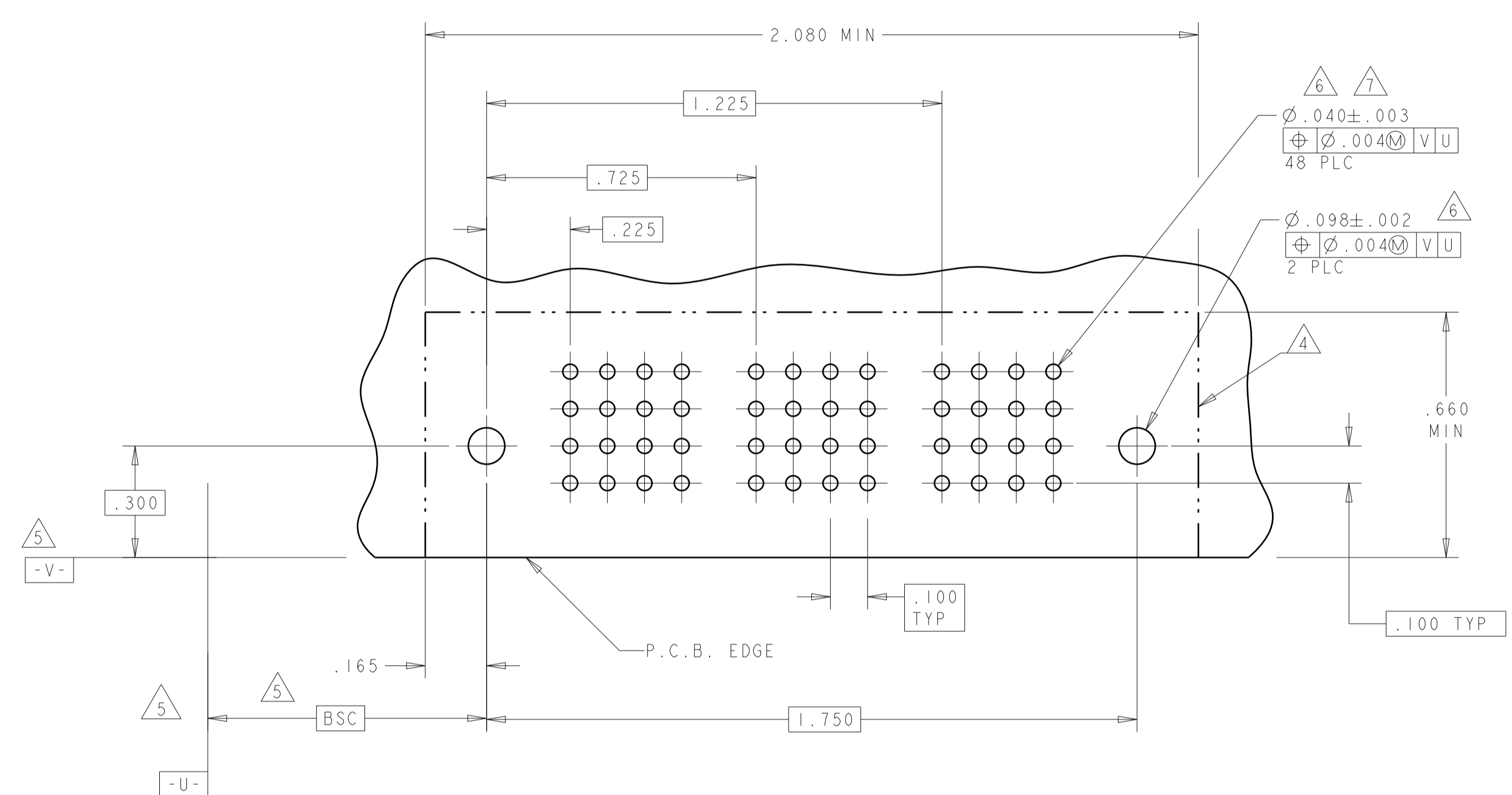
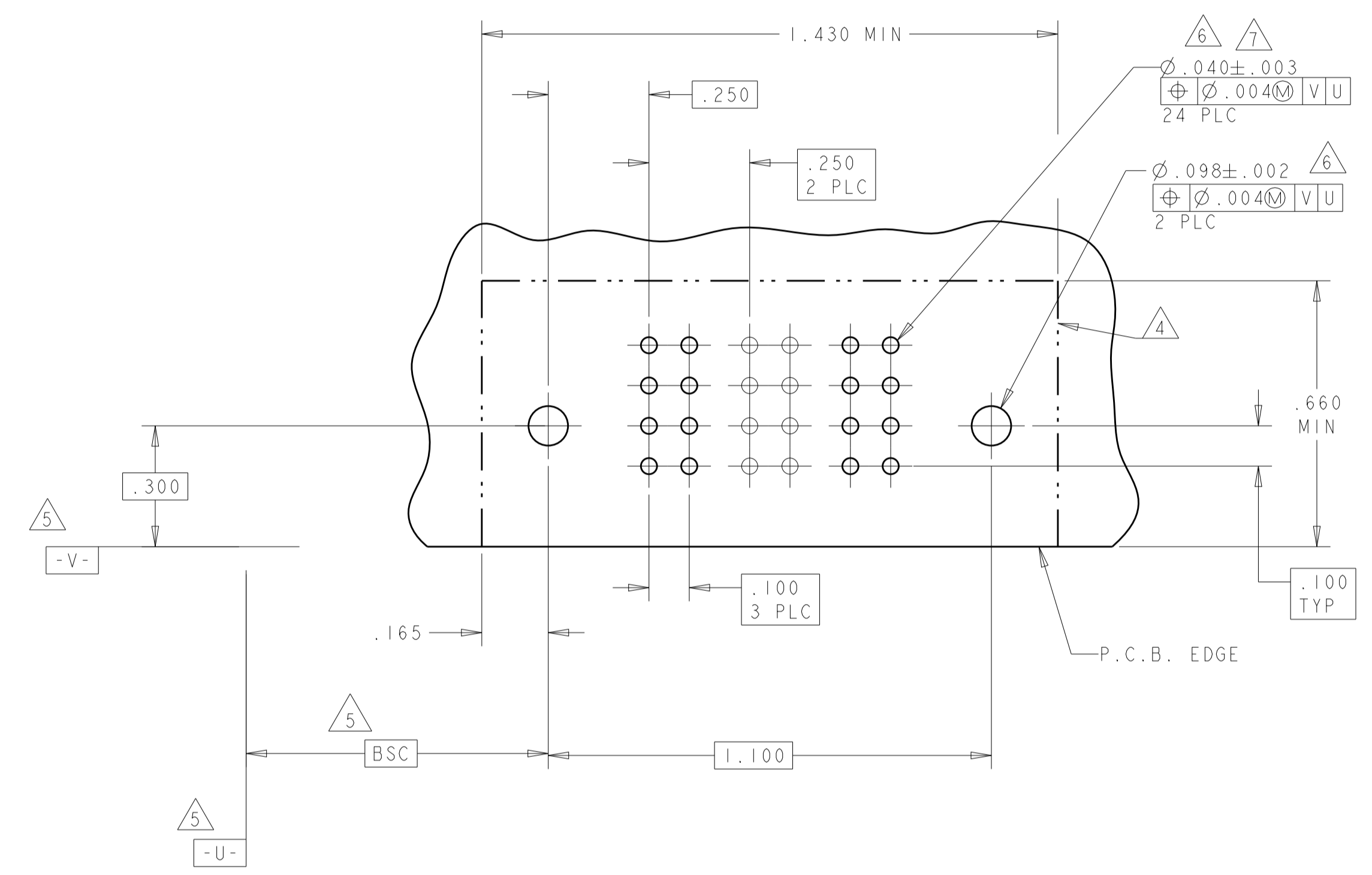
Customer Drawing

SCALE 3:1 SHEET 1 OF 4 REV E1

LOC	DIST	REV	DATE	BY	APPD
ES	00				

PART NUMBER	POWER		
	P1	P2	P3
6450523-1	PT	PT	PT
3P	HD		HD

PART NUMBER	POWER					
	P1	P2	P3	P4	P5	P6
6450523-2	PT	PT	PT	PT	PT	PT
6P	HD					HD



PART NUMBER	POWER							
	P1	P2	P3	P4	P5	P6	P7	P8
6450523-6	PT	PT	PT	PT	PT	PT	PT	PT
8P	HD							HD

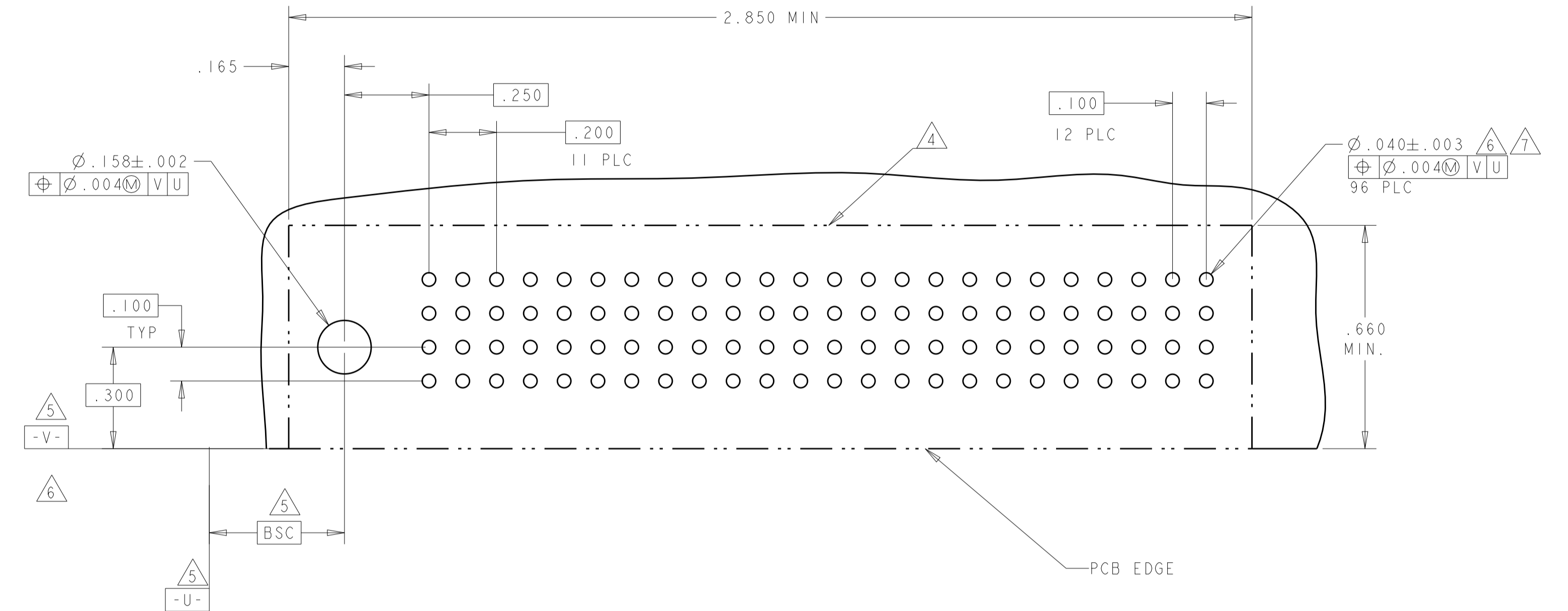
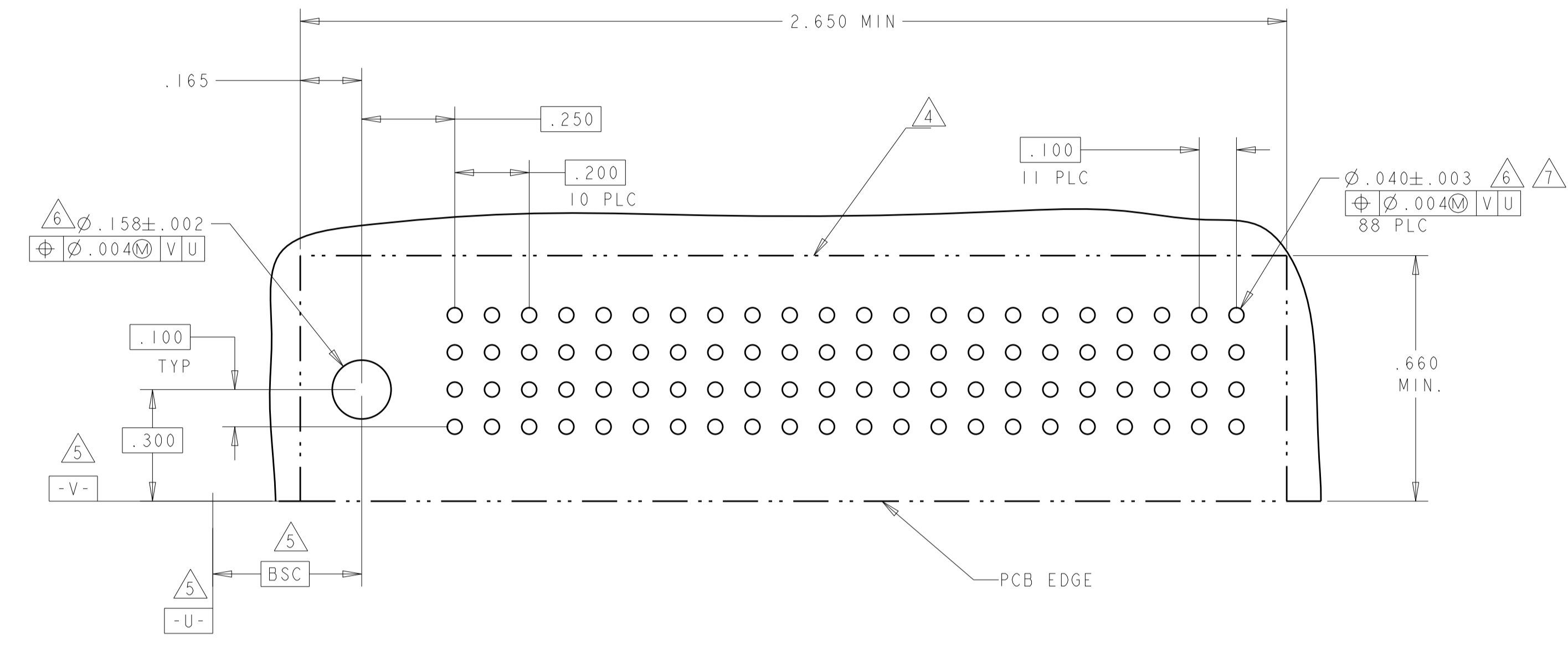
POWER CONTACT, STD .120 TAIL LENGTH	PT
DESCRIPTION	CODE

THIS DRAWING IS A CONTROLLED DOCUMENT.		OWN: R. GRZYBOWSKI 16MAY05		TE Connectivity
DIMENSIONS: INCHES		CHK: M. PERCHERKE 16MAY05		RIGHT ANGLE HEADER ASSEMBLY PRESS FIT, W/GUIDES MULTI-BEAM XL
TOLERANCES UNLESS OTHERWISE SPECIFIED:		APVD: M. PERCHERKE	PRODUCT SPEC	
0 PLC ± .01		PRODUCT SPEC	108-1973	
1 PLC ± .01		APPLICATION SPEC	114-13038	
2 PLC ± .005		WEIGHT	A100779C=6450523	
3 PLC ± .002		Customer Drawing	SCALE 3:1 SHEET 2 OF 4 REV E1	
ANGLES ± .0020				
FINISH				

LOC		DIST		REVISIONS			
ES	00	REV	DATE	BY	CHK	APPV	DESCRIPTION
-	-	1	-	-	-	-	SEE SHEET 1

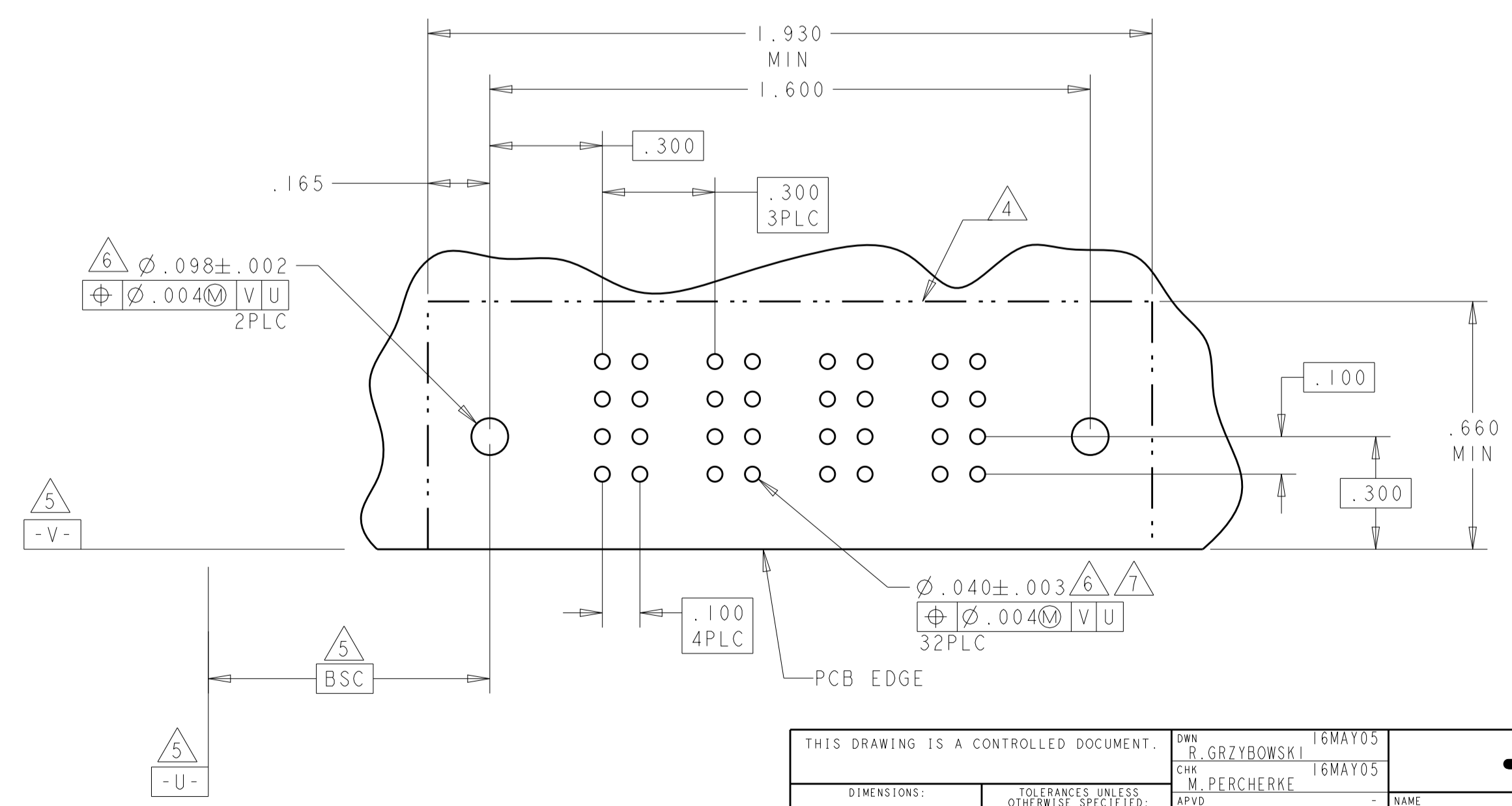
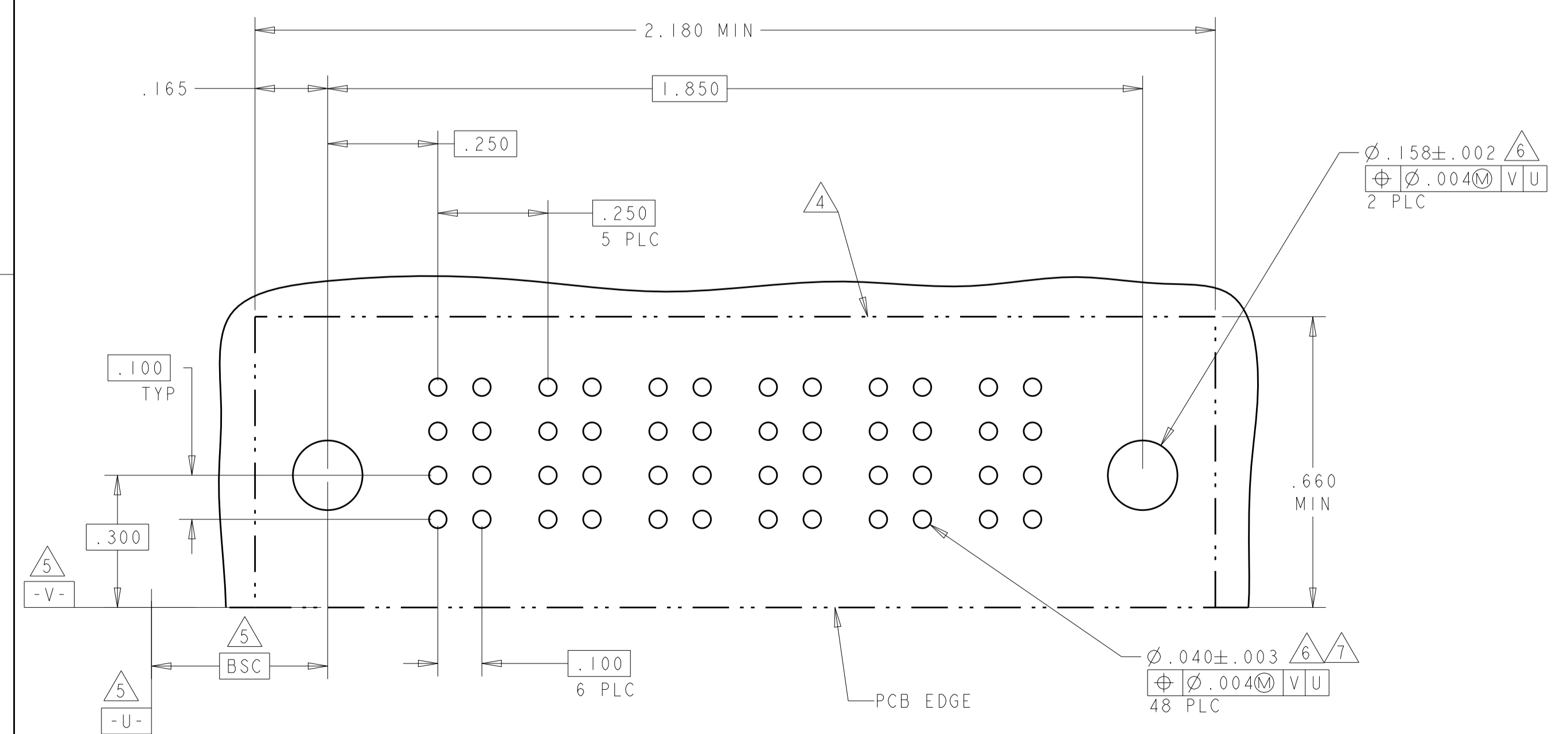
PART NUMBER	POWER										
	P1	P2	P3	P4	P5	P6	P7	P8	P9	P10	P11
6450523-5	PT	PT	PT	PT	PT	PT	PT	PT	PT	PT	PT
11HDP											

PART NUMBER	POWER											
	P1	P2	P3	P4	P5	P6	P7	P8	P9	P10	P11	P12
6450523-7	PT	PT	PT	PT	PT	PT	PT	PT	PT	PT	PT	PT
12HDP												



PART NUMBER	POWER					
	P1	P2	P3	P4	P5	P6
6450523-8	PT	PT	PT	PT	PT	PT
6P						

PART NUMBER	ROWS	POWER			
		P1	P2	P3	P4
1-6450523-0	D C B A	PT	PT	PT	PT
4ACP	HD				HD



THIS DRAWING IS A CONTROLLED DOCUMENT.

DIMENSIONS:	TOLERANCES UNLESS OTHERWISE SPECIFIED:	OWN: R. GRZYBOWSKI 16MAY05	CHK: M. PERCHERKE 16MAY05		TE Connectivity
INCHES	0 PLC ±.01 1 PLC ±.01 2 PLC ±.01 3 PLC ±.005 4 PLC ±.002 ANGLES ±.020	APVD: M. PERCHERKE	NAME: RIGHT ANGLE HEADER ASSEMBLY PRESS FIT, W/GUIDES MULTI-BEAM XL		
MATERIAL:	FINISH:	PRODUCT SPEC: 108-1973	APPLICATION SPEC: 114-13038	SIZE: A100779	DRAWING NO: 6450523
		WEIGHT:	Customer Drawing	SCALE: 3:1	SHEET 3 OF 4

